

Features & Benefits



High flotation tyres for less soil compaction.



397 mm auger for downloading 14 tons within 4 minutes.



Fully reinforced and tubular metal construction



MORE ABOUT THE CHASER BIN 21 m³:

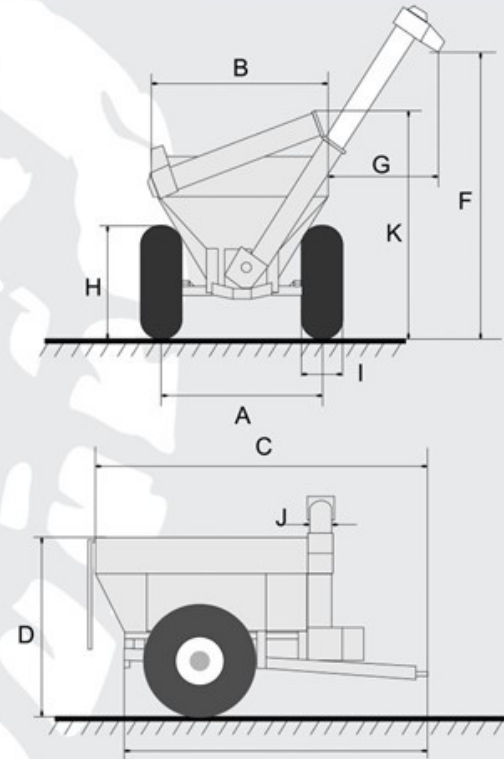
Reliable chaser bins are essential for a harvesting process to run smoothly. Harvest time is a sweet experience for Africa's farmers thanks to Agri Afrika's reliable, sturdy Ombu chaser bins.

The Ombu model: The ATA 21 000, which carries 21 000 litres. This model requires a 80kW powered tractor. This model has a horizontal auger in its belly to move the grain, where the transfer chute's auger picks it up for delivery into the truck or bulk trailer.

The augers are driven by oil-bath gearboxes with heat-hardened gears, which are specially designed to last a long time.

The transfer chutes are mounted on the front of the chaser bins so that the tractor driver can easily see to ensure that he transfers the load safely inside the trailer or truck body.

Ombu Chaser bins bottoms fold open to facilitate cleaning and servicing.



SPECIFICATIONS	
CAPACITY IN LITER	21,000 ℓ
UNLOADING TIME	4.00 min
DIMENSION (mm)	
A	2,400
B	2,940
C	6,200
D	2,655
E	5,695
F	4,400
G	1,580
H	1,700
I	580
J	400
K	3,235

Contact us for more information:

086 111 3692 • info@agriafrika.co.za • www.agriafrika.co.za