

LOVOL

CONSTRUCTION EQUIPMENT

ROBUST RELIABLE SUPPORTED

FR80E2



- Yanmar Engine- 45kw / 2100rpm
- Bucket Capacity - 0.3m³
- Operating Weight - 7800 kg
- Standard Piped for Attachment

POWERED BY

DURA
EQUIPMENT
SALES

Technical Specifications

ENGINE

Model	Yanmar 4TNV98
Type	Diesel
Number of Cylinders	4
Bore	98mm
Stroke	110mm
Horsepower	45kW
Rated RPM	2100 RPM

HYDRAULICS

Main Pump Type	Hengli
Main Valve	Hengli
Swing Motor	Hengli
Boom Cylinder	Hengli
Bore	110mm
Stroke	840mm
Stick Cylinders	Hengli
Bore	90mm
Stroke	865mm
Bucket Cylinder	Hengli
Bore	80mm
Stroke	710mm
Travel Circuit	30 Mpa
Implement Circuit	20 Mpa
Swing Circuit	28 Mpa
Pilot Circuit	3.6 Mpa
Hydraulic Piping	Standard / Optional
Pump Flow	163.8L/min
Pump Pressure	28 Mpa

UNDERCARRIAGE

Frame	X-Type
Rail Distance	1700mm
Track Width of Shoe	450mm
Undercarriage Width	2580mm
Track Length	2770mm
Number of Shoes	38
Number of Carrier Rollers	1
Number of Track Rollers	5

DRIVE

Travel Motor	Eddie
Maximum Travel Speed	4.3 km/h
Steering Control	Differential Drive
Drive Method	Hydrostatic
Max Pressure	33 Mpa

SWING SYSTEM

Drive Method	Hydrostatic
Swing Speed	11.5 r/min
Swing Circle Lubrication	Grease
Swing Lock	Hydrostatic
Swing Reduction	Secondary Planetary Gear
Max System Pressure	28 Mpa

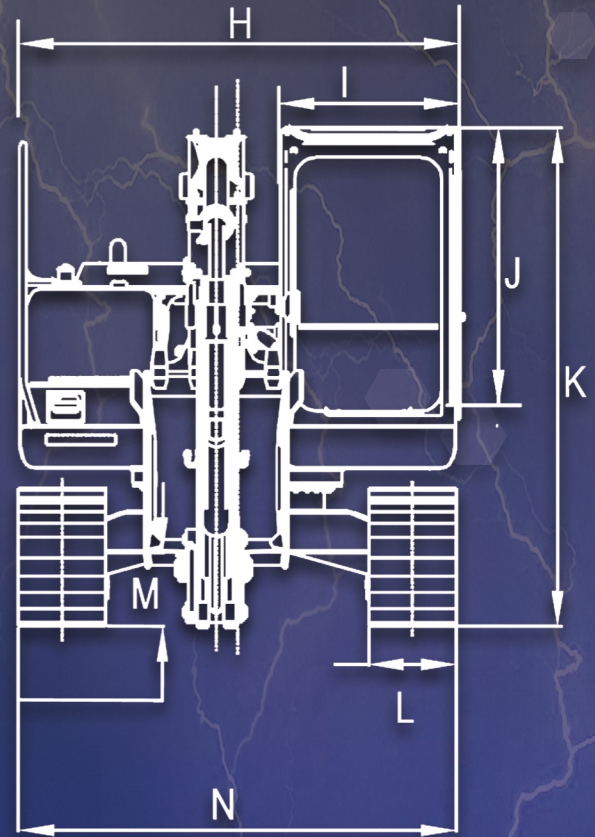
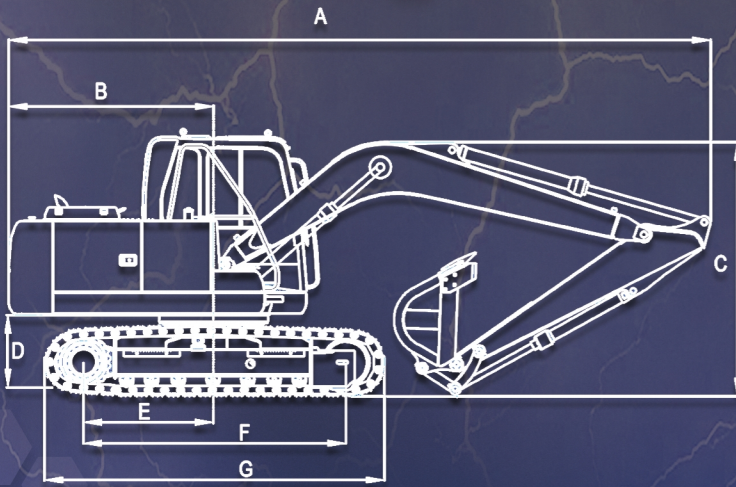
FRONT LINKAGE

Bucket Type	General Purpose/Rock Bucket
Bucket Breakout Force	56KN (5656kg)
Bucket Capacity	0.3m ³
Bucket Options	General
Boom Length	3708mm
Stick Length	1650mm

SERVICE REFILL CAPACITIES

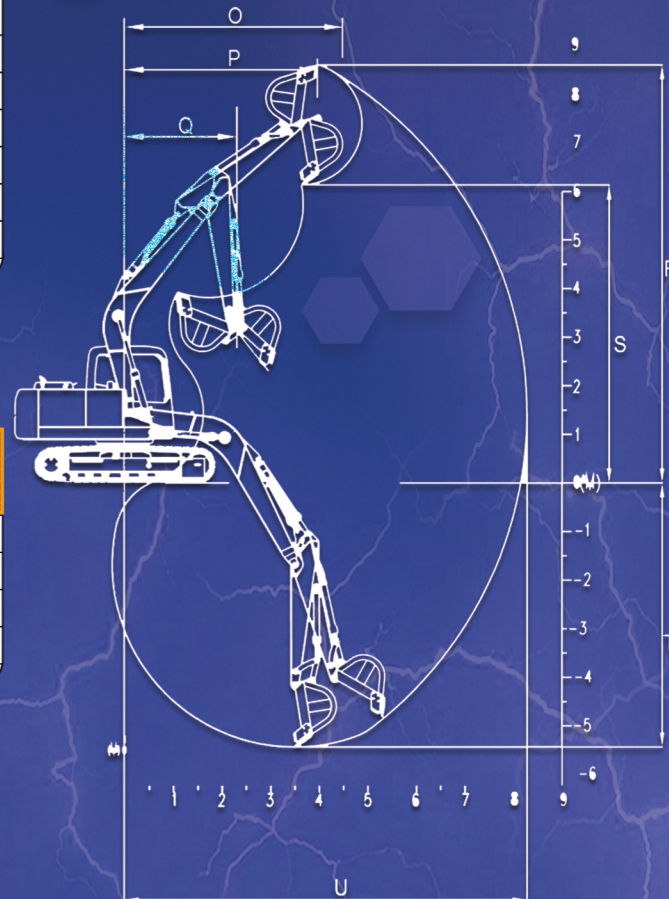
Fuel Tank	160L
Cooling System	16L
Engine Oil	12L
Swing Motor	4L
Final Drive	2L
Hydraulic Tank	115L

Dimension Specifications



Overall Dimensions (mm)	
A) Overall Length	6100mm
B) Swing Radius	1830mm
C) Height of Boom	2650mm
D) Counterweight Clearance	805mm
E) Centre to Middle of Track Frame	1065mm
F) Distance of Track on Ground	2130mm
G) Undercarriage Length	2770mm
H) Overall Width of body	2275mm
I) Cab Width	1060mm
J) Cab Height	1700mm
K) Height to Top of Cab	2650mm
L) Track Shoe Width	450mm
M) Ground Clearance	382mm
N) Undercarriage Width	2275mm

Working Ranges (mm)	
O) Max Cutting Height	7150mm
P) Max Dumping Height	5030mm
Q) Max Digging Depth	4050mm
R) Centre to Max Digging Depth	2685mm



WARRANTY

1 Year Unlimited Hours Warranty or 24 Months / 5000 Hours Warranty
6 Months / 1000 Hours Electrical Warranty
4 Complimentary Services (250/500/750/1000 Hours)



MACHINE

Quality **Robust, Reliable, Supported** equipment.
Basic mechanical operation with basic electronics for easy maintenance.
Various attachments are available for your specific needs.
We guarantee 24/7 Backup and Support from Dura Equipment Sales.
We host an on-site state-of-the-art workshop for repairs.
On-site support is rendered by qualified field technicians.
Full mine spec machine (Aircon, ROPS/FOPS cab, Fire extinguisher).
Dura Equipment Sales is the sole agent for Lovol Construction Equipment in South-Africa.



We guarantee full parts availability on all Lovol Construction Equipment. Dura Equipment Sales is the sole provider for Lovol Construction Equipment.

Gauteng: (Head Office)
+27 (0) 11 918 4760

admin@durasales.co.za

46 Viewpoint rd Bartlett Boksburg
GPS: 29 10' 28.95" S 28 15'04.39"

North West:

+27 (0) 79 874 5458

marketing@durasales.co.za

8 Wordsworth Ave
Orkney, North West

Western Cape:

+27 (0) 21 988 6618

capeadmin@durasales.co.za

30 Kiaat street, Kraaifontein Industrial,
Kraaifontein, Cape Town

KwaZulu-Natal / Richards Bay:

+27 (0) 82 453 0795

marketing@durasales.co.za

122 Alumina Allee, Alton,
Richards Bay

POWERED BY



All dimensions are shown in millimetres, unless stated between brackets. Under our policy of continuous improvements, we reserve the right to change specifications and design without prior notice. Photographs features in this brochure may include optional equipment.

Terms and Conditions Apply

www.durasales.co.za

WEICHAI