

Features & Benefits



Reversible lower hitch for CAT3 Wide or 4 Narrow



Legend three-point hitches start with Extra heavy duty hardwearing domex steel. It's the kind of steel you trust to haul the heaviest implements. They're plasma-cut by the computer then sent to expert welders who know their stuff.

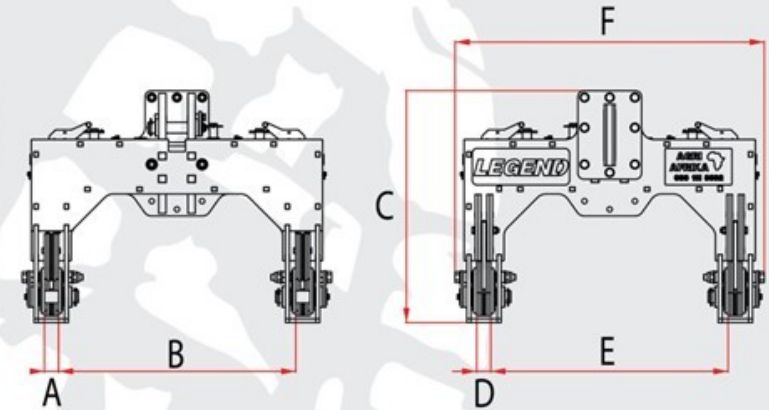


Quick release mechanism

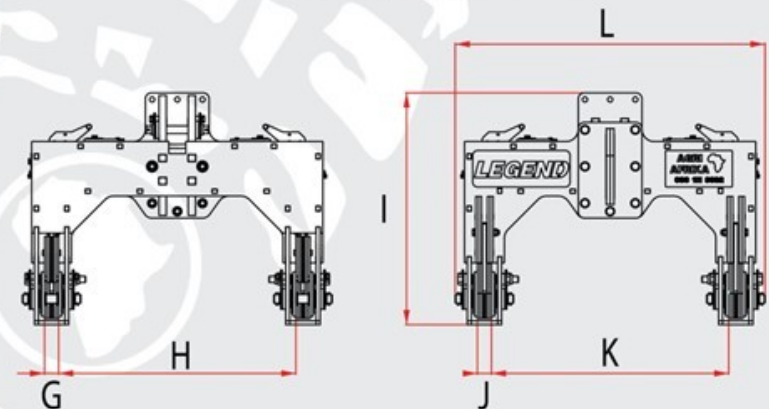
Optional: The 3-point quick-hitch connection and exceptional lift capacity easy one-person hook-up.



CAT 4 NARROW QUICK HITCH



CAT 3 WIDE QUICK HITCH



MORE ABOUT THE LEGEND QUICK HITCH:

Every Legend quick hitch is precision welded on all connections, leaving no open joints. It takes more time to do it this way but it means one sure thing: **strength**. Rust is the enemy of any ag tool. All Legend products are thick powder coated to produce a tough protective barrier between the elements and your tools.

SPECIFICATIONS	
IMPLEMENT COMPATIBILITY	CAT 3W OR 4N
TRACTOR COMPATIBILITY	CAT 3W OR 4N

DIMENSION	(mm)	DIMENSION	(mm)
A	58	G	58
B	975	H	975
C	953	I	953
D	58	J	58
E	975	K	975
F	1270	L	1273

Contact us for more information:

086 111 3692 • info@agriafrika.co.za • www.agriafrika.co.za