

# LOVOL

CONSTRUCTION EQUIPMENT

**ROBUST RELIABLE SUPPORTED**

## FR150F



- Weichai Engine : 92kw / 2200 rpm
- Bucket Capacity - 0.6m<sup>3</sup>
- Operating Weight - 15050 kg
- Standard Piped for Attachment

**POWERED BY**

**DURA**  
EQUIPMENT  
**SALES**

# Technical Specifications

## ENGINE

Model	WEICHAI
Type	WP4.1
Number of Cylinders	4
Bore	105mm
Stroke	125mm
Horsepower	92kW
Rated RPM	2200 RPM

## DRIVE

Travel Motor	Eddie
Maximum Travel Speed	5.4 km/h
Steering Control	2 Levers / Pedals
Drive Method	Hydrostatic
Max Pressure	34 Mpa

## HYDRAULICS

Main Pump Type	Linde
Main Valve	Linde
Swing Motor	Linde
Boom Cylinder	Hengli
Bore	75mm
Stroke	105mm
Diameter	990mm
Stick Cylinders	Hengli
Bore	80mm
Stroke	115mm
Diameter	1175mm
Bucket Cylinder	Hengli
Bore	65mm
Stroke	95mm
Diameter	885mm
Travel Circuit	34 Mpa
Implement Circuit	37 Mpa
Swing Circuit	26 Mpa
Pilot Circuit	4 Mpa
Hydraulic Piping	Standard
Pump Flow	128 Mpa
Pump Pressure	34 Mpa

## SWING SYSTEM

Drive Method	Hydrostatic
Swing Speed	10.5 r/min
Swing Circle Lubrication	Grease
Swing Lock	Oil-Disc Brake
Swing Reduction	Planetary Gear

## FRONT LINKAGE

Bucket Type	General Purpose Bucket
Bucket Capacity	0.6m <sup>3</sup>
Bucket Options	Rock / Trenching Bucket
Boom Length	4600mm
Stick Length	2500mm

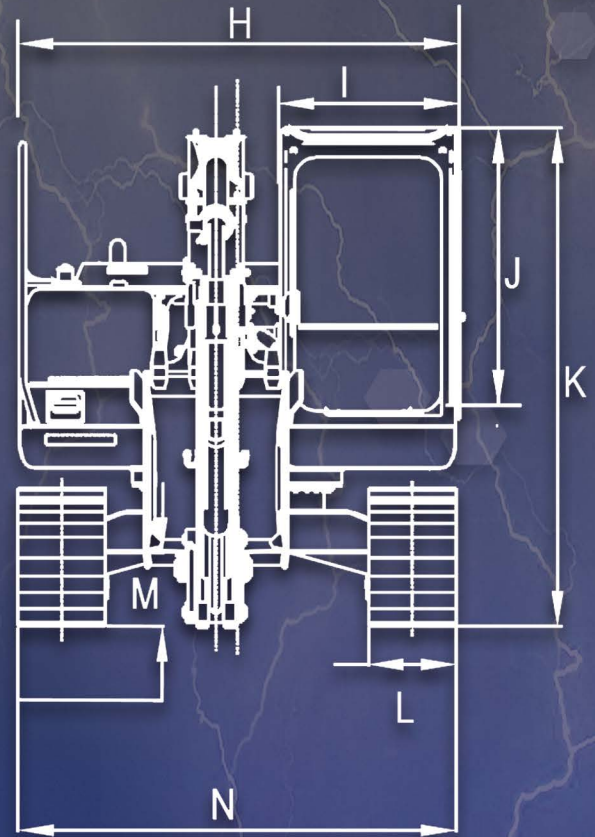
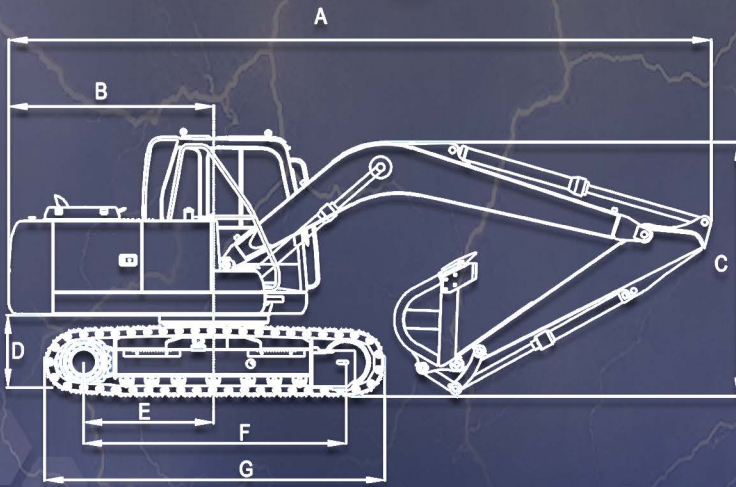
## UNDERCARRIAGE

Frame	X-Frame
Rail Distance	2000mm
Track Width of Shoe	500mm
Undercarriage Width	2500mm
Track Length	3615mm
Number of Shoes	43
Number of Carrier Rollers	1
Number of Track Rollers	8

## SERVICE REFILL CAPACITIES

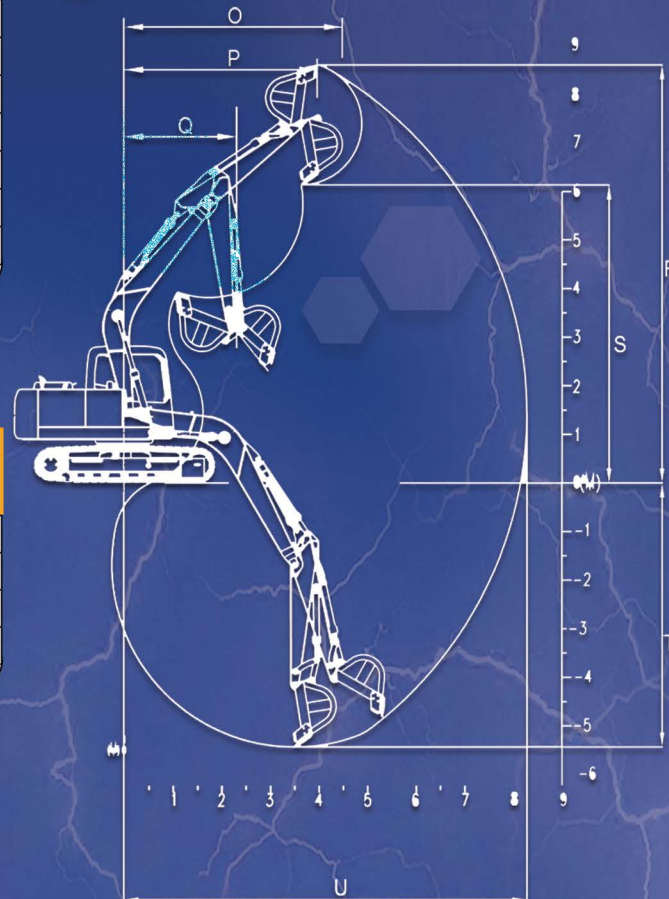
Fuel Tank	240L
Cooling System	4L
Engine Oil	14L
Swing Motor	1L
Final Drive	2L
Hydraulic Tank	165L

# Dimension Specifications



<b>Overall Dimensions (mm)</b>	
A) Overall Length	7740mm
B) Swing Radius	2300mm
C) Height of Boom	1340mm
D) Counterweight Clearance	900mm
E) Centre to Middle of Track Frame	1428mm
F) Distance of Track on Ground	2880mm
G) Undercarriage Length	3615mm
H) Overall Width of body	2490mm
I) Cab Width	1004mm
J) Cab Height	1865mm
K) Height to Top of Cab	2850mm
L) Track Shoe Width	500mm
M) Ground Clearance	420mm
N) Undercarriage Width	2500mm

<b>Working Ranges (mm)</b>	
O) Max Cutting Height	8500mm
P) Max Dumping Height	6140mm
Q) Max Digging Depth	5425mm
R) Centre to Max Digging Depth	8135mm



# WARRANTY

1 Year Unlimited Hours Warranty or 24 Months / 5000 Hours Warranty  
6 Months / 1000 Hours Electrical Warranty  
4 Complimentary Services (250/500/750/1000 Hours)



## MACHINE

Quality **Robust, Reliable, Supported** equipment.  
Basic mechanical operation with basic electronics for easy maintenance.  
Various attachments are available for your specific needs.  
We guarantee 24/7 Backup and Support from Dura Equipment Sales.  
We host an on-site state-of-the-art workshop for repairs.  
On-site support is rendered by qualified field technicians.  
Full mine spec machine (Aircon, ROPS/FOPS cab, Fire extinguisher).  
Dura Equipment Sales is the sole agent for Lovol Construction Equipment in South-Africa.



We guarantee full parts availability on all Lovol Construction Equipment. Dura Equipment Sales is the sole provider for Lovol Construction Equipment.

Gauteng: (Head Office)  
+27 (0) 11 918 4760

[admin@durasales.co.za](mailto:admin@durasales.co.za)

46 Viewpoint rd Bartlett Boksburg  
GPS: 29 10' 28.95" S 28 15'04.39"

North West:

+27 (0) 79 874 5458

[marketing@durasales.co.za](mailto:marketing@durasales.co.za)

8 Wordsworth Ave  
Orkney, North West

Western Cape:

+27 (0) 21 988 6618

[capeadmin@durasales.co.za](mailto:capeadmin@durasales.co.za)

30 Kiaat street, Kraaifontein Industrial,  
Kraaifontein, Cape Town

KwaZulu-Natal / Richards Bay:

+27 (0) 82 453 0795

[marketing@durasales.co.za](mailto:marketing@durasales.co.za)

122 Alumina Allee, Alton,  
Richards Bay

POWERED BY



All dimensions are shown in millimetres, unless stated between brackets.  
Under our policy of continuous improvements, we reserve the right to  
change specifications and design without prior notice. Photographs features  
in this brochure may include optional equipment.

Terms and Conditions Apply

[www.durasales.co.za](http://www.durasales.co.za)

**WEICHAI**