



<b>Engine</b>	Cummins 6BTAA5.9-C130
<b>Rated Power</b>	97 kW (130 hp / 132 ps) @ 2,200 rpm
<b>Net Power</b>	89 kW (119 hp / 121 ps) @ 2,200 rpm
<b>Operating Weight</b>	10,375 kg
<b>Standard Bucket Size</b>	1.8 m <sup>3</sup>
<b>Standard Breakout Force</b>	99 kN
<b>Standard Dump Clearance</b>	2,938 mm

# 835H MAX WHEEL LOADER

# 835H SPECIFICATIONS >>>

## ENGINE

Emission Regulation	Tier 2 / Stage II
Maker	Cummins
Model	6BTAA5.9-C130
Rated Power	97 kW (130 hp / 132 ps) @ 2,200 rpm
Net Power	89 kW (119 hp / 121 ps) @ 2,200 rpm
Peak Torque	580 N·m @ 1,300~1,500 rpm
Displacement	5.9 L
Number of Cylinder	6
Aspiration	Turbocharged & Air-to-air inter-cooled

## TRANSMISSION

Transmission Type	Planetary, power shift
Torque Converter	Double stage, four elements
Maximum Travel Speed, fwd	40 km/h
Maximum Travel Speed, rev	18 km/h
Number of Speed, fwd	2
Number of Speed, Rev	1

## AXLES

Differential Front Type	Conventional
Differential Rear Type	Conventional
Axle Oscillation	±10°

## STEERING

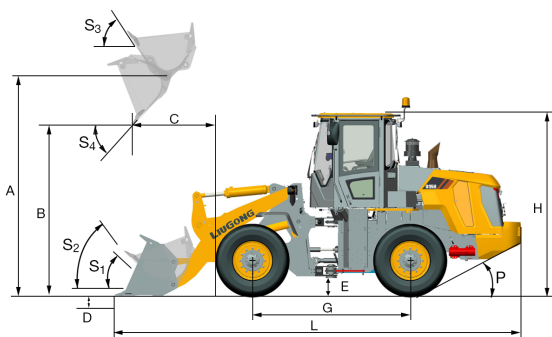
Steering Configuration	Articulated
Steering Relief Pressure	17.2 MPa

## BRAKES

Service Brake Type	Caliper discs brake
Service Brake Actuation	Air over hydraulic
Parking Brake Type	Drum
Parking Brake Actuation	Mechanical

## HYDRAULIC SYSTEM

Main Pump Type	Gear
Main Relief Pressure	17 MPa
Raise	5.1 s
Dump Time	1.1 s
Float Down Time	3.1 s
Fastest Total Cycle Time	9.3 s



## LOADER ARM PERFORMANCE with Quick Attach Bucket 1.8 m³

Tipping Load - Straight (ISO 14397-1:2007)	8,100 kg
Tipping Load - Full Turn (ISO 14397-1:2007)	7,000 kg
Bucket Breakout Force	99 kN
A Maximum Hinge Pin Height	3,739 mm
B Dump Clearance at Full Height Discharge	2,938 mm
C Dump Reach at Full Height Discharge	1,042 mm
D Maximum Digging Depth, Bucket Level	40 mm
S <sub>1</sub> Rollback at Ground Level	42°
S <sub>2</sub> Bucket Rollback at Carry	49°
S <sub>3</sub> Bucket Rollback at Maximum Height	60°
S <sub>4</sub> Maximum Dump Angle at Full Height	45°

## BUCKET PERFORMANCE

Reference Bucket	1.5-3.2 m³
------------------	------------

## DIMENSIONS

E Ground Clearance	350 mm
G Wheelbase	2,870 mm
H Cab Height	3,340 mm
J Wheel Tread	1,850 mm
K Width Over Tires	2,295 mm
L Length with Bucket Down	7,193 mm
M Turn Angle, Either Side	40°
P Rear Angle of Departure	28°
R <sub>1</sub> Turning Radius, Bucket Carry	5,616 mm
R <sub>2</sub> Turning Radius, Outside of Tire	5,090 mm
W Width Over Bucket	2,500 mm

## TIRES

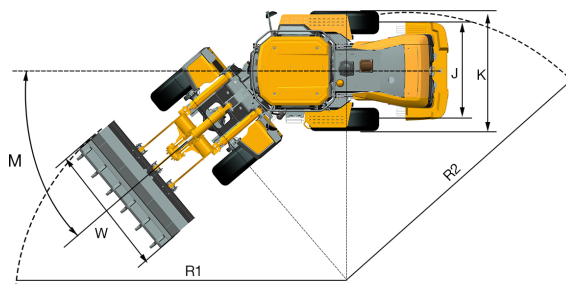
Tire Size	17.5-25PR12
-----------	-------------

## OPERATING WEIGHTS

Operating Weight	10,375 kg
------------------	-----------

## SERVICE CAPACITY

Fuel Tank	140 L
Engine Oil	16.3 L
Cooling System	40 L
Hydraulic System	130 L
Transmission and Torque Converter	45 L
Axles, Each	22 L



## Contact us:

011-306-0700

elb@elbquip.co.za

www.elbequipment.co.za

07/2020 Designed by LiuGong  
Replace the previous versions of 04/2020

Specifications and designs are subject to change without notice. Machines shown may include optional equipment. LiuGong standard and optional equipment may vary from region to region. Please consult your LiuGong dealer for information specific to your area. Engine power kW is converted to horsepower (1 kW=1.3596 ps and 1 kW=1.3410 hp) in this file.