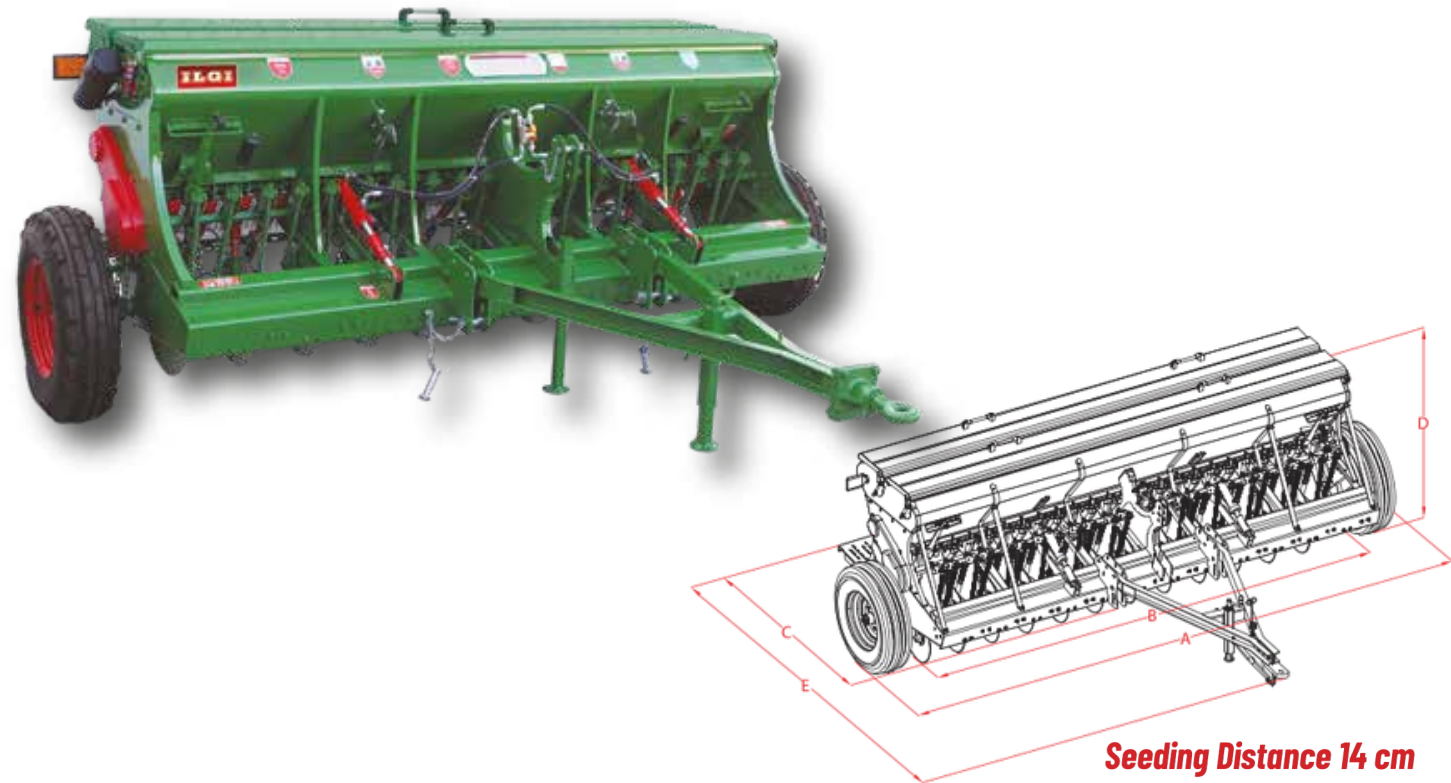


SEED DRILL



	Seeding Distance		HBM 12	HBM 14	HBM 16	HBM 18	HBM 20	HBM 22	HBM 24	HBM 26	HBM 28	HBM 30	HBM 32	HBM 34	HBM 36	HBM 38	HBM 40
Number of Tines	14 cm	Pcs	12	14	16	18	20	22	24	26	28	30	32	34	36	38	40
Total Width	14 cm	cm	246	274	302	338	366	394	422	450	478	506	534	562	590	618	646
Working Width	14 cm	cm	154	182	210	238	266	294	322	350	378	406	434	476	504	532	560
Length	14 cm	cm	133	133	133	133	133	133	133	133	133	133	133	133	133	133	133
Hopper Height	14 cm	cm	132	132	132	136	136	136	136	136	136	136	136	136	136	136	136
Total Length	14 cm	cm	233	233	233	233	233	233	233	233	233	233	233	233	233	233	233
Seed Case Volume	14 cm	L	265	305	350	390	430	470	510	550	590	630	670	710	750	790	830
Fertilizer Case Volume	14 cm	L	245	280	320	360	395	430	465	505	540	580	615	650	685	720	755
Seed Capacity (Wheat)	14 cm	Kg	200	235	265	300	325	355	385	415	450	480	510	540	570	620	630
Fertilizer Capacity	14 cm	Kg	240	275	310	350	385	385	455	495	530	565	600	635	670	705	740
Tire Dimension	14 cm	inch	7,5x16	7,5x16	7,5x16	7,5x16	7,5x16	7,5x16	7,5x16	7,5x16	7,5x16	7,5x16	7,5x16	7,5x16	7,5x16	7,5x16	7,5x16
Weight	14 cm	Kg	850	900	950	1000	1080	1150	1220	1290	1360	1430	1500	1570	1670	1760	1900
Power Requirement	14 cm	Kw	26-30	30-34	34-37	37-41	41-45	45-49	49-52	52-56	56-60	60-64	64-67	67-71	71-75	75-78	78-82

*28 row machines are in stock. Please make request for other models.

Standard Specifications



BALL VALVE

It prevents seed wastage on the rear and edges of the field by allowing the right and left disc groups of the drill to operate separately.



DISCHARGE LEVER

Thanks to the lever on the seed hoppers, flaps are adjusted and it allows adjustment for small seeds and large seeds and it allows the seed to be discharged effortlessly at the end of sowing.



DISC PENETRATION ADJUSTMENT

Thanks to the setting on the hydraulic lift, depth of the discs are adjusted and it is easy to take work and road positions with hydraulic lifts without getting off the tractor.



GRADATION LEVER ADJUSTMENT

Thanks to the gradation lever system in each hopper, seed and fertilizer can be easily adjusted in the desired amount.



DOUBLE COVER

There are double cover and sieve which prevent the mixing of seed and fertilizer.



DISCHARGE LEVER

hopper and allows easy discharge of fertilizer at the end of sowing.



WHEEL

11,5 x 80 size wheels are mounted onto our combined seed drill.



HELICAL GEAR

Thanks to the helical gears made of aluminum injection material in the machines, it is possible to perform continuous and all kinds of sowing.

The machines in stock have all the standard features. For optional features, production process is required with a delivery date after the order.