

Features & Benefits



The sides of the Legend side tipper can easily be removed to transport bulky items such as bales of hay.



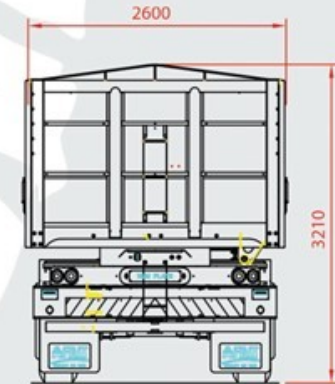
With its state-of-the-art LED tail lights, the Legend side tipper is fully qualified and licenced for use on public roads.



The Legend side tipper has an extra heavy duty chassis.



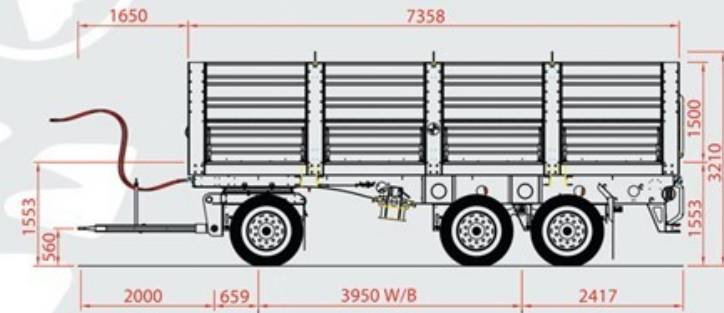
MODEL	LEGEND SIDE TIPPER
BIN CAPACITY	27,000ℓ
PAYLOAD	20,000 kg
AXLES	20 Ton
HUBS	10 Bolt
TYRE SIZE	385/65R22.5
BRAKES	HYDRAULIC
TOW EYE	40 mm
WHEEL BASE	3950 mm
TRACK WIDTH	1920 mm



**MORE ABOUT THE LEGEND SIDE TIPPER:**

Requests from farmers led to the design and manufacturing of Agri Afrika's Legend side tipper which, with its versatility, is a valuable asset on any farm, the Legend side tipping wagon has a flat body that tilts hydraulically to unload its load quickly and effeciantly.

This flatbed ensures versatility, because in addition to grain, you can also drive feed or anything else with it. Its sides can be removed to load bales or bulky loads - and unload them easily.



Contact us for more information:

086 111 3692 • [info@agriafrika.co.za](mailto:info@agriafrika.co.za) • [www.agriafrika.co.za](http://www.agriafrika.co.za)