



Engine	Yanmar 4TNV98-ZCPLYSC
Gross Power	50 kW (67 hp / 68 ps) @ 2,400 rpm
Net Power	48 kW (64 hp / 65 ps) @ 2,400 rpm
Breakout Force	20.4 kN
Rated Operating Capacity	865 kg
Bucket Capacity	0.4 m ³
Operating Weight	3,100 kg

375B

SKID STEER LOADER

375B SPECIFICATIONS >>>

ENGINE	
Emission Regulation	Tier 3 / Stage III
Make	Yanmar
Model	4TNV98-ZCPLYSC
Gross Power	50 kW (67 hp / 68 ps) @ 2,400 rpm
Net Power	48 kW (64 hp / 65 ps) @ 2,400 rpm
Peak Torque	239 N · m @ 1,550 rpm
Number of Cylinders	4
Displacement	3.3 L
Cooling Type	Water

ELECTRICAL SYSTEM	
System Voltage	12 V
Alternator Output	85 amps

CHAIN TANK	
Drive Chain Size	80 HS

TIRES	
Ply Type	Vacuum tyre
Tire Size	10-16.5
Ply Rating	10

HYDRAULIC SYSTEM	
System Type	Open / Closed
Standard Flow	79.2 L/min
Traveling Hydrostatic Pressure	35 MPa
Working Hydrostatic Pressure	21 MPa
Hydraulic Cycle Time, Total	8.6 s
Raise	4.2 s
Dump	2.3 s
Lower (float down)	2.1 s

OPERATING WEIGHT	
Operating Weight	3,100 kg

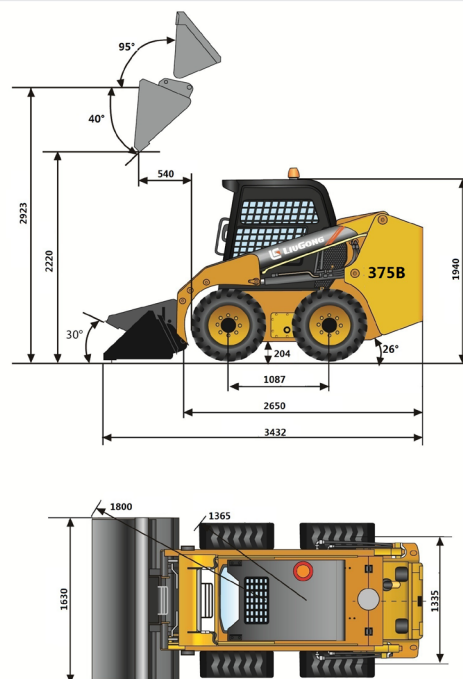
PERFORMANCE	
Static Tipping Load	1,730 kg
Rated Operating Capacity	865 kg
Boom Breakout Force	18.5 kN
Bucket Breakout Force	20.4 kN
Dump Clearance at Full Height Discharge	2,220 mm
Dump Reach at Full Height Discharge	540 mm
Maximum Dump Angle at Full Height	40°
Maximum Hinge Pin Height	2,923 mm
Bucket Rollback at Ground Level	30°
Ground Clearance	204 mm
Angle of Departure	26°
Front Clearance Radius with Bucket	1,800 mm

SERVICE CAPACITIES	
Fuel Tank	100 L
Engine Oil	10.2 L
Cooling System	13 L
Hydraulic Reservoir	52 L
Hydraulic System Total	70 L
Chain Tanks, Each	8 L

OPTIONAL ATTACHMENTS	
4 in 1 Bucket – 0.4 m ³	Cold Planer
Rock Bucket – 0.4 m ³	Snow Blade
Scrape Bucket – 350 to 650 mm	Pick-up Sweeper
Hydraulic Hammer	Hydraulic Shear
Fork	Auger
Lift Boom	

STANDARD EQUIPMENT	
General Bucket –0.4 m ³	Mechanical Servo Control
Control Safety Interlock	Hand Throttle
Quick Coupler	Boom Interlock
Open ROPS/FOPS Cab	

OPTIONAL EQUIPMENT	
Enclosed ROPS/FOPS Cab with AC	
Solid Tire	
Tire Chains	
Heater	
Auxiliary High Flow–107 L/min	
Optional Counterweight	
Pilot Control	
Hand and Foot Throttle	



Contact us:

011-306-0700
 elb@elbquip.co.za
 www.elbequipment.co.za

03/2020 Designed by LiuGong
 Replace the previous versions of 01/2020

Specifications and designs are subject to change without notice. Machines shown may include optional equipment. LiuGong standard and optional equipment may vary from region to region. Please consult your LiuGong dealer for information specific to your area. Engine power kW is converted to horsepower (1 kW=1.3596 ps and 1 kW=1.3410 hp) in this file.