

Features & Benefits



Gravity flow - Unique tank design is the key to excellent clean-out. Due to this design a boiling effect that prevents bridging.



Direct drive gearbox with a heavy duty drive-line ensures performance and minimizes horsepower requirement. No chains, sprockets, belts or pulley necessary compared to dual auger cart designs. Properly balanced tongue weight reduces the stress on your tractor draw bar.



CB 30



CB 40

MORE ABOUT THE CHASER BINS CB23 / CB30 / CB40:

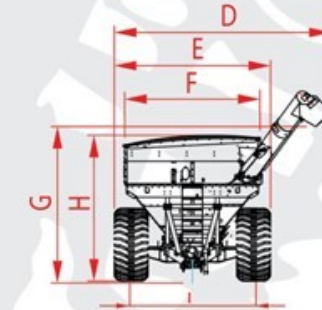
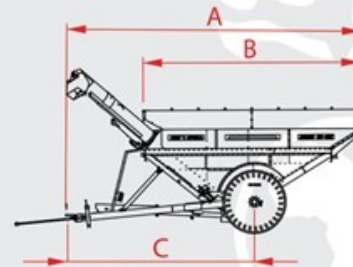
One thing that a farmer can count on during harvesting, is his reliable and efficient LEGEND Chaser Bin from Agri Afrika.

The ingenious single auger design, sturdy tank and hardened chassis are designed to hold more grain, to transport faster and to do unloading under 3 minutes.

The bin consists of loose panels that are bolted together, ensures no cracking of the bin makes the process of fixing a broken or damaged panel faster and more cost effective.

The unique bin design feeds all the grain to the centre point, where the transfer auger can collect it.

No other Chaser Bin work so simply, easily and more effective than the LEGEND Chaser Bin



SPECIFICATIONS			
MODEL	CB23	CB30	CB40
VOLUME	23,000l	30,000l	40,000l
AUGER DIAMETER	475 mm	475 mm	475 mm
UNLOAD TIME	1.4 min	2.1 min	2.8 min
TYRES	850/50-30.5	800/65R32	900/60R32
PTO	1,000 rpm	1,000 rpm	1,000 rpm
TONGUE WEIGHT EMPTY	1,050 kg	1,250 kg	1,325 kg
TONGUE WEIGHT LOADED	2,450 kg	3,585 kg	1,550 kg
WEIGHT APPROX	5,300kg	6,000 kg	7,140 kg
UPLOADING HEIGHT			
STANDARD AUGER	3,785 mm	3,755 mm	4,150 mm
SLIDING AUGER	4,180 mm	4,350 mm	4,580 mm
DIMENSION (mm)			
A	6,747	6,712	9,031
B	4,900	4,900	6,671
C	4,503	4,476	5,734
D	6,128	6,097	5,755
E	4,101	4,045	4,148
F	3,590	3,590	3,590
G	3,784	3,754	4,147
H	3,301	3,727	3,868
I	3,048/3,248	3,048/3,248	3,048/3,248

Contact us for more information:

086 111 3692 • info@agriafrika.co.za • www.agriafrika.co.za