

Standard Specifications



THREE-POINT HITCH & PULL TYPE ARROW

The seeders are made with three-point hitch and pull type arrow.



SINGLE PIPE SOWER TINE

It increases efficiency on tempered and wet soils.



THREE-POINT HITCH

It becomes three-point hitch with a pin and allows easy transportation on difficult roads and bridges.



CLOSER WHEEL

Rear closer wheel closes seed grooves with different settings without hardening and enables covered seed to come out of soil easily.



MARKER LEVER

It is the guide provides that no area which is not sown is left between the lanes which are occurred while traveling on the field during sowing process.

Optional Specifications



TRACE REMOVER INSTALLATION

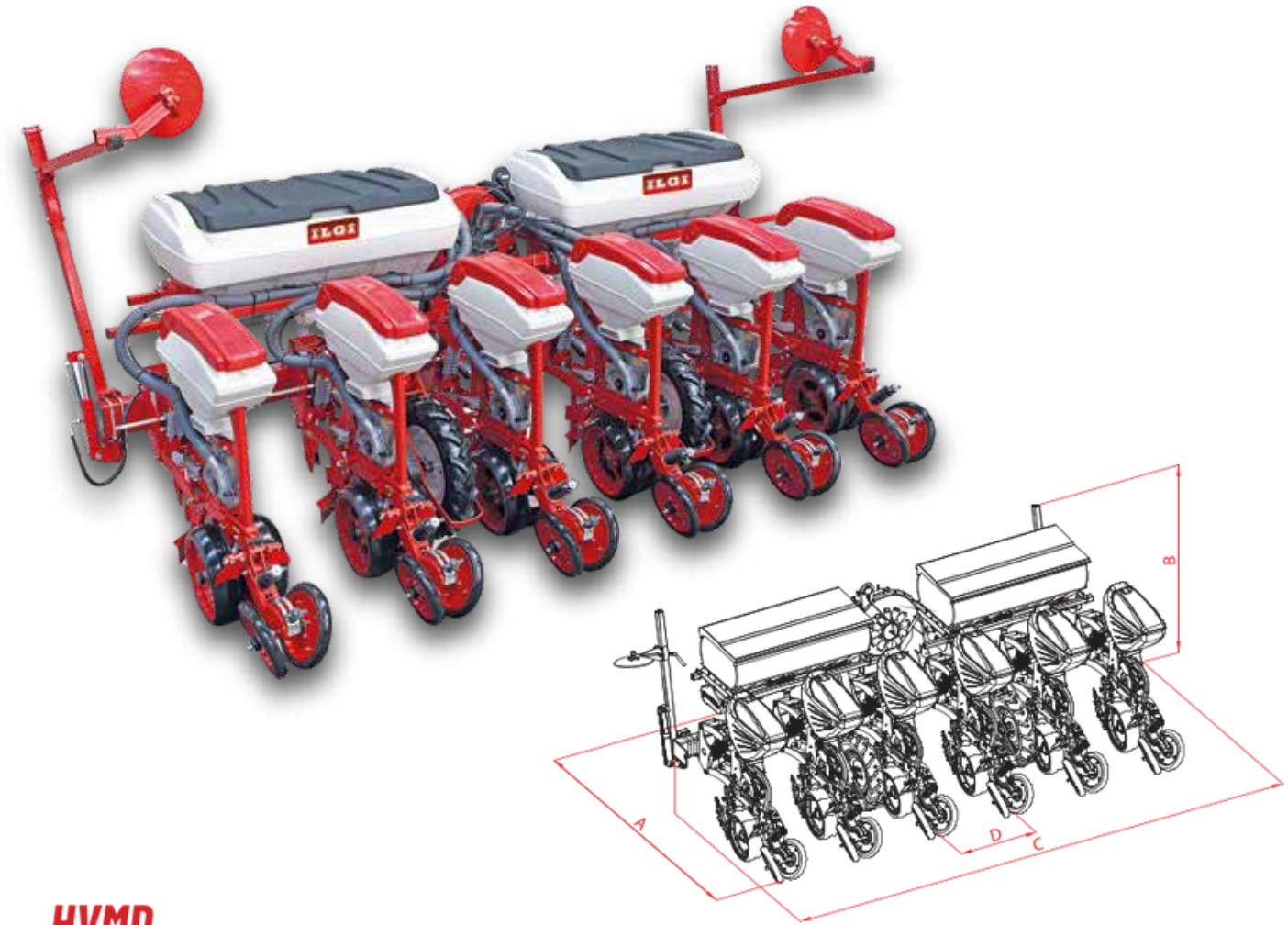
Wheels squeeze the soil on humid soil and discs can't arrange the sowing depth. In order to prevent this situation, tractor wheel trace remover hoes working with pistons are used.



CHISEL TINE

Allows sowing on rocky and humid soils without any blocking thanks to its chisel tines.

PNEUMATIC PLANTER



HVMD

	Unit	HVMD 4	HVMD 5	HVMD 6	HVMD 8
Number Of Units	Pcs	4	5	6	8
Total Length	cm	200	200	200	200
Total Height	cm	160	160	160	160
Total Width	cm	300	300	400	600
Distance Between Rows	cm	25 x 90	25 x 90	25 x 90	25 x 90
Seed Capacity	lt	50 x 4	50 x 5	50 x 6	50 x 8
Fertilizer Case Vol.	lt	170 x 2	170 x 2	230 x 2	170 x 4
PTO (Rpm)	d/d	540	540	540	540
Weight Without Fertilizer Hopper	kg	950	1020	1250	1500
Weight With Fertilizer Hopper	kg	1150	1220	1450	2000
Tyre Dimension	Inch	500 x 15	500 x 15	500 x 15	500 x 15
Power Requirement	kw	45	53	60	75